

FIGURE 3.20 Various details of wall bracing attachment at the top. (Star Building Systems.)



FIGURE 3.21 Fracture of the rafter web at the point of horizontal rod attachment. Note that the force applied by the bracing has also laterally displaced the rafter section.

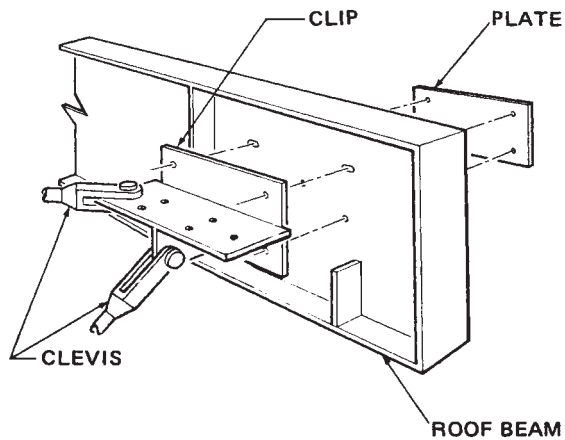


FIGURE 3.22 A bracket for load transfer between roof and wall bracing. (*Butler Manufacturing Co.*)